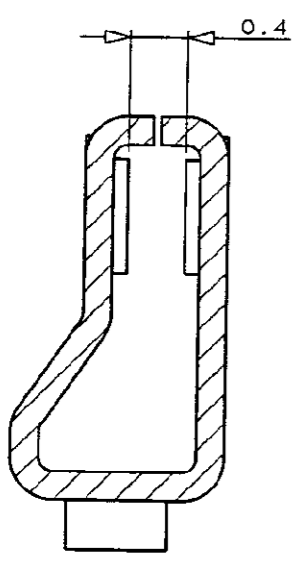
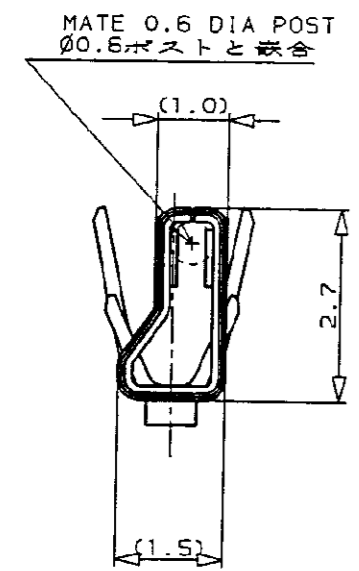


NUMBER C-179227  
METRIC

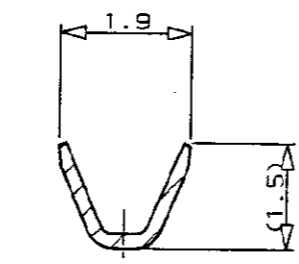
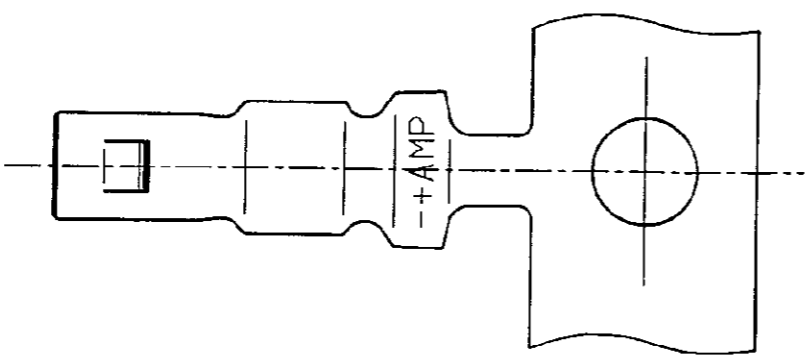
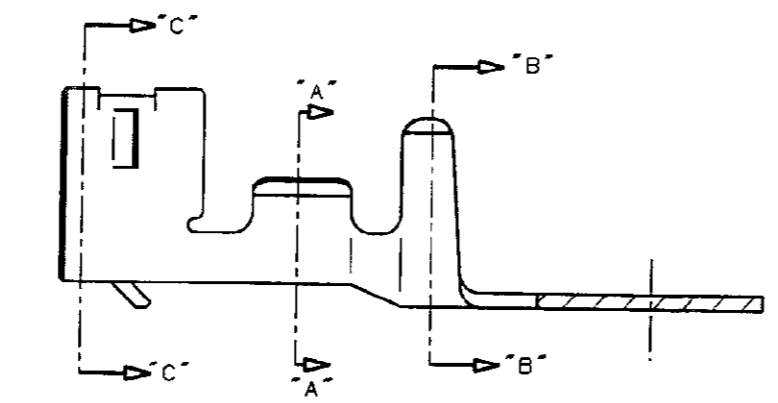
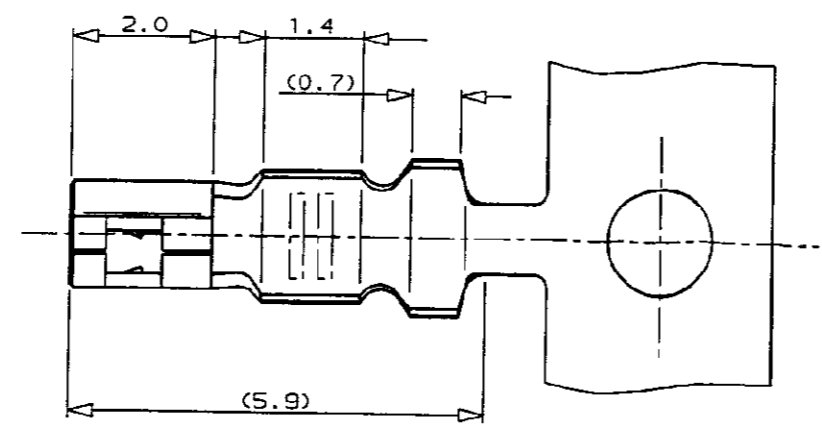


DIMENSIONS IN MILLIMETERS. DO NOT SCALE PRINT

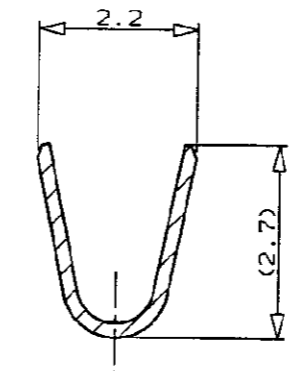
PRINT DIST  
AMP-J  
REV. 10/'93



SECT "C" - "C"  
(SCALE 20-1)



SECT "A" - "A"



SECT "B" - "B"

- 注:
1. 使用ハウジングは型番 179228
  2. 製品規格: 108-5408
  3. 取付通用規格: 114-5179

- NOTES:
1. USE HOUSING ; P/N 179228
  2. PRODUCT SPEC ; 108-5408
  3. APPLICATION SPEC ; 114-5179

GOLD PLT PHOSPHOR BRONZE (0.2t) 金めつき付燐青銅、(板厚0.2)	179227-4
PRE TINNED PHOSPHOR BRONZE (0.2t) 錫めつき燐青銅、(板厚0.2)	179227-1
MATERIAL & FINISH 材質	PART NO. 型番

Copyright ©19 年 AMP (Japan), LTD. ALL RIGHTS RESERVED.		Copyright ©19 年 AMP (Japan), LTD. ALL RIGHTS RESERVED.		<b>AMP</b>		AMP (JAPAN), LTD. Tokyo, Japan		
WIRE RANGE 0.12 -0.35 mm <sup>2</sup> (AWG26-22)		INSULATION DIA 0.93-1.5 mmφ		NAME 圧着タイプIIリセコンタクト CRIMP TYPE II RECEPTACLE CONTACT (AMP CT CONNECTOR 2mm PITCH)				
MATERIAL SEE TABLE 表参照		FINISH SEE TABLE 表参照		GENERAL TOLERANCE		SIZE	LOC	NUMBER
DR. 11/12'93 T. FURUYA		DE. 11/12'93 T. FURUYA		0<X<10 : ±0.2 10<X<30 : ±0.25 30<X<100 : ±0.3		B	J	C-179227
LTR REVISION RECORD		DR CHK DATE		ANGLES : ±3°		SCALE	REV.	SHEET
CHK. 11/15'93 S. KUBOUCHI		APP. S. Kubouchi 11/16				10-1	B	1 OF 1

(CUSTOMER DRAWING) 参考 ☒ 面